

ECHO-MAGNETIC BUZZER

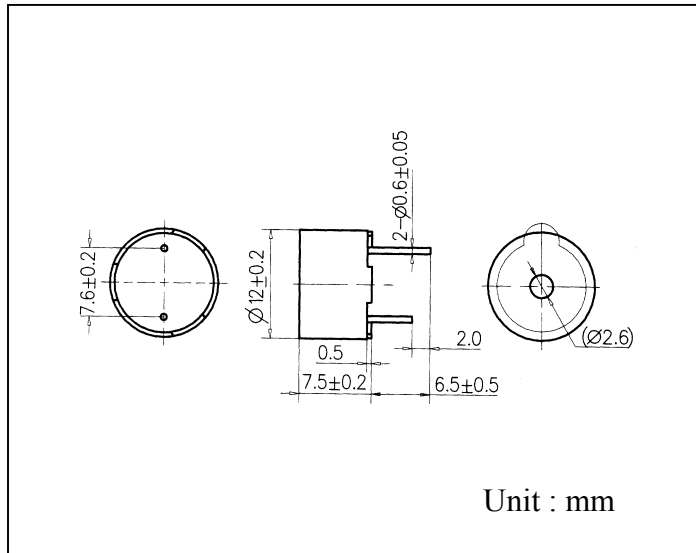
B61 SERIES



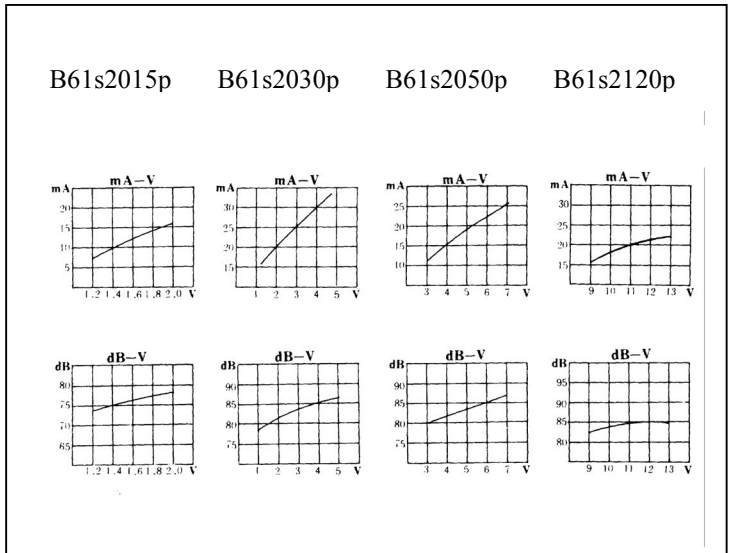
FEATURES:

- Ultra small size
- Low current consumption
- Extremely durable
- Long life
- Operating temperature -20°C -- $+70^{\circ}\text{C}$
- Storage temperature -30°C -- $+70^{\circ}\text{C}$

DIMENSIONS:



CHARACTERISTICS:



SPECIFICATIONS:

Model No.	Operating Voltage (VDC)	Rated Voltage (VDC)	Max. Current at Rated Voltage (mA)	Frequency (kHz)	Min. Sound Pressure at Rated Voltage (dBA/10cm)	Pulse Rate at Rated Voltage (Pulse/Sec)	Tone	Terminal
B61S2015P	1.4-2	1.5	25	2.3±0.5	75	NIL	SINGLE	PIN
B61S2030P	2-5	3	30	2.3±0.4	82	NIL	SINGLE	PIN
B61S2050P	3-7	5	30	2.3±0.4	83	NIL	SINGLE	PIN
B61S2120P	9-15	12	30	2.3±0.4	83	NIL	SINGLE	PIN